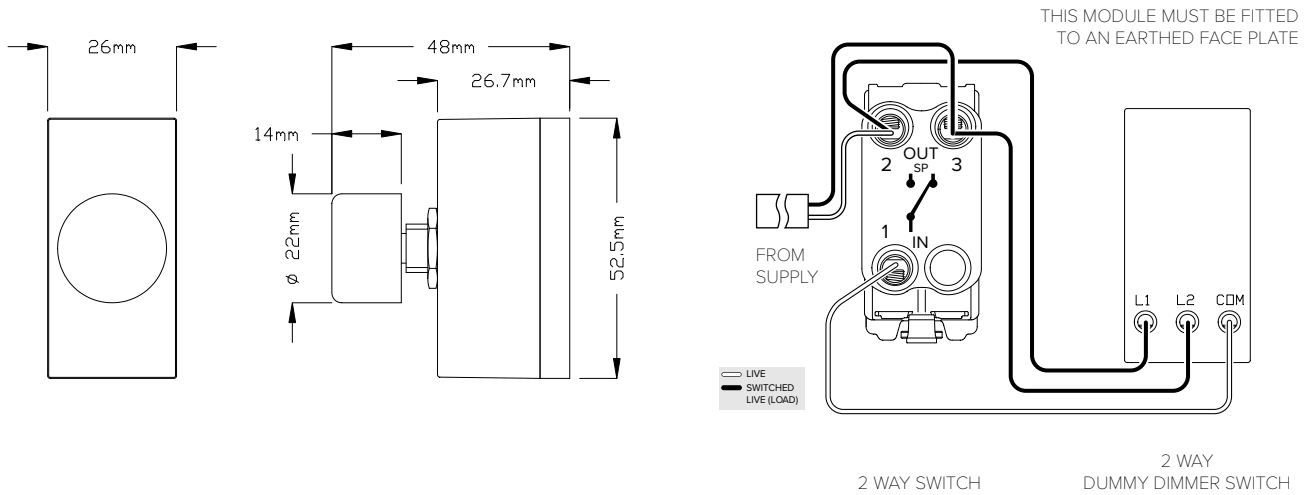


6A Dummy Dimmer Push Type Switch - Plate Module



TECHNICAL SPECIFICATION

Standard(s)	BS EN 60669-2
Voltage Rating	200-250V AC, 6 Amp
Mounting Box Depth (Min)	35mm
Terminal Capacity	3x1.0mm ² , 2x 1.5mm ²
Earth Terminal Capacity	3 x 2.5mm ² , 2 x 4.0mm ² , 1 x 6.0mm ²
Size	48mm x 26mm x 52.5mm
Product Class 1	Face plate must be earthed
Ambient Operating Temperature	-5° to +40°C
Recommended Location	Internal Use Only
Maximum Installation Altitude	2000m
IP Rating	IP2XD
Switched Poles	Single
Mains Frequency	50hz - 60hz
Trademarks	The Soho Lighting Company is a registered trade mark number: UK00003313349, EU017906396, Date: 25 May 2018