




ENKIN® ON & OFF FUNCTION

Dummy dimmer switch is activated by pressing the dimmer shaft.

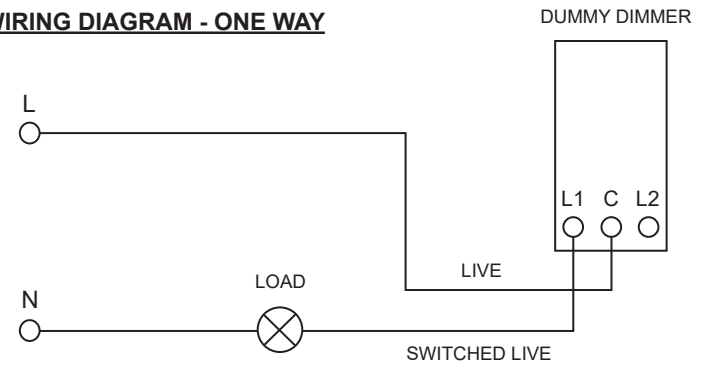
PDD200 Dummy Dimmer

- Input voltage: 240V ~ 50Hz
- Max load: 1000W

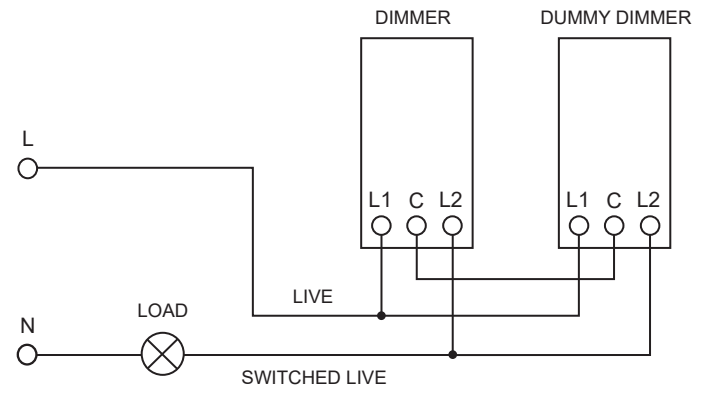
Operating Voltage	240V ac
Nominal Operating Frequency	50 Hz
Dimming Technique	N/A
Compliance	BS EN 60669-2-1

Load Symbol	Compatible Loads	Max Loads
	LED lighting	1000W
	240V Incandescent & Halogen lamps	1000W
	Low voltage lighting with electronic transformers	1000W

WIRING DIAGRAM - ONE WAY



WIRING DIAGRAM - TWO WAY





WARNING

LEGAL DISCLAIMER

RISK OF ELECTRIC SHOCK

- Hazardous voltage and electrical current may be present at the wire leads of this product even when the device is switched off.
- Lock out and tag the input circuit before accessing the wiring connections.
- This device must be installed by a qualified and experienced electrician in accordance with applicable current electrical regulation.
- To comply with all safety standards, the product must be used only for the purpose described in this instruction and must be installed in accordance with the wiring rules and regulation in the location where it is installed.
- There are no user serviceable parts inside the product. Failure to follow these instructions can result in death or serious injury.

EQUIPMENT DAMAGE HAZARD

- Install the device according to instructions in this document.
- Pay attention to the specifications and wiring diagrams related to the installation.
- Do not use this product for any other purpose than specified in this instruction.
- The product is suitable for indoor use only.
- Apply IEC60898-1 compliant 250V~ 6A MCB as an overload protective device.

ENVIRONMENTAL PROTECTION

Waste electrical products should not be disposed of with household waste.

Please recycle where facilities exist. Check with your local authority or retailer for recycling advice.

The installation of electrical products is inherently dangerous and can lead to serious injury or death. The products we sell **MUST** be installed by a qualified and experienced electrician in accordance with applicable current electrical regulation. Any advice, guidance or other information provided by Enkin on their website or within any of our publications cannot completely anticipate your situation and common sense must prevail. Products need to be checked prior to installation and regularly for damage and wear and tear. Products should be returned and not used if in any doubt of their integrity.

Electrical rated loads and limits of a given product should **NEVER** be exceeded at any time. The electricity supply should always be isolated at its source (Distribution Board) before attempting any installation or maintenance.

No advice or information, whether oral or written, obtained by you from us or through the service, our employees, consultants and/or retailers shall create any warranty not expressly made herein.

You agree to assume all and any risk resulting from the utilisation of information provided by Enkin. You also expressly agree not to hold us responsible for any damage, personal injury, death or loss resulting from your use of our information, service or regulatory compliant products.

Scan QR Code for more detailed technical information on this product

www.enkin.com



IP20

