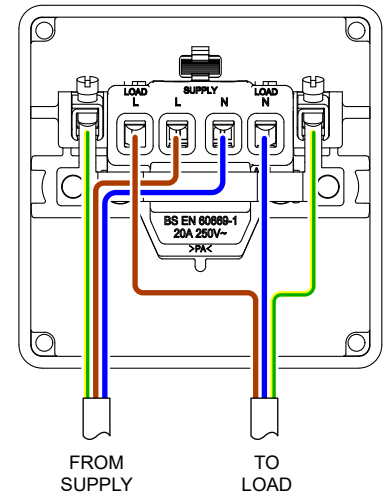
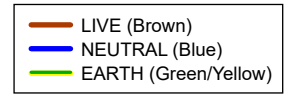
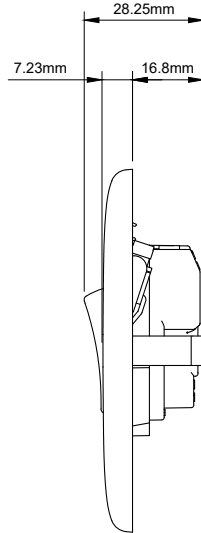
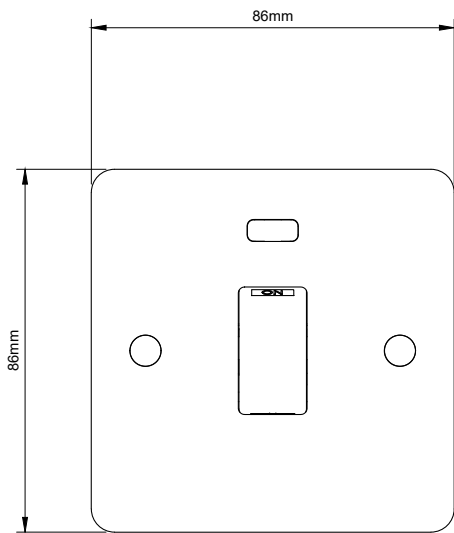


**20A 1 Gang Double Pole Switch With Neon**



**TECHNICAL SPECIFICATION**

<b>Standard(s)</b>	BS EN 60669-1
<b>Voltage Rating</b>	20 Amp, 250V~
<b>Switch Type</b>	Double Pole
<b>Mounting Box Depth (Min)</b>	25mm
<b>Terminal Capacity</b>	3 x 2.5mm <sup>2</sup> , 3 x 4.0mm <sup>2</sup> , 2 x 6.0mm <sup>2</sup>
<b>Fixing Centres</b>	60.3mm
<b>Size</b>	86mm x 86mm x 7.23mm (Plate thickness)
<b>Product Class 1</b>	This product must be earthed
<b>Ambient Operating Temperature</b>	-5° to +40°C
<b>Recommended Location</b>	Internal Use Only
<b>Maximum Installation Altitude</b>	2000m
<b>IP Rating</b>	IP2XD
<b>Mains Frequency</b>	50hz - 60hz
<b>Trademarks</b>	The Lieber Company is a registered trade mark number: UK00003313578 Date: 26 May 2018

All products listed conform to current British or European standard and the product information is correct at the time of going to press.

Illustrations and diagrams are reproduced within the limitations of reproduction and printing process and are not binding.

Due to manufacturing processes we cannot guarantee an exact colour match and shadings of certain finishes.

