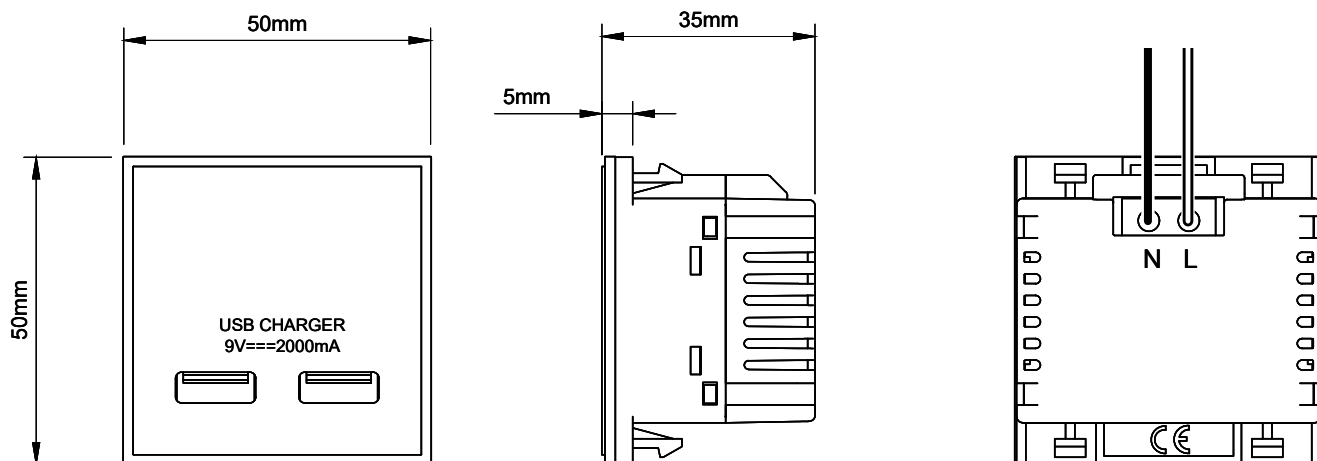


USB Charger 2 Gang - Euro Module



TECHNICAL SPECIFICATION

Standard(s)	BS 60950 , BS 5733
Input	180-250V~, 0.2A , 50/60Hz
Output	5V===2000mA
Terminal Capacity	1x1.5mm ² , 2x1.0mm ²
Size	50mm x 50mm x 36.5mm
Product Class 1	Face plate must be earthed
Ambient Operating Temperature	-5° to +40°C
Recommended Location	Internal Use Only
Maximum Installation Altitude	2000m
IP Rating	IP2XD
Mains Frequency	50hz - 60hz
Trademarks	The Soho Lighting Company is a registered trade mark number: UK00003313349, EU017906396, Date: 25 May 2018