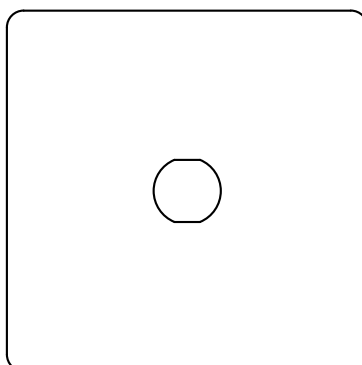
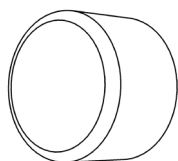


22-LTS261

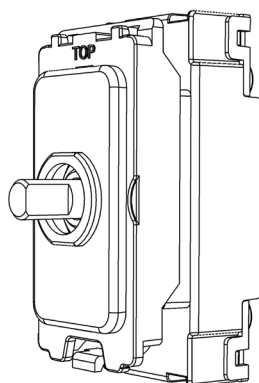
# 1 Gang 1-10V DC Dimmer - Traditional Plate



20-GRD132



SGP146



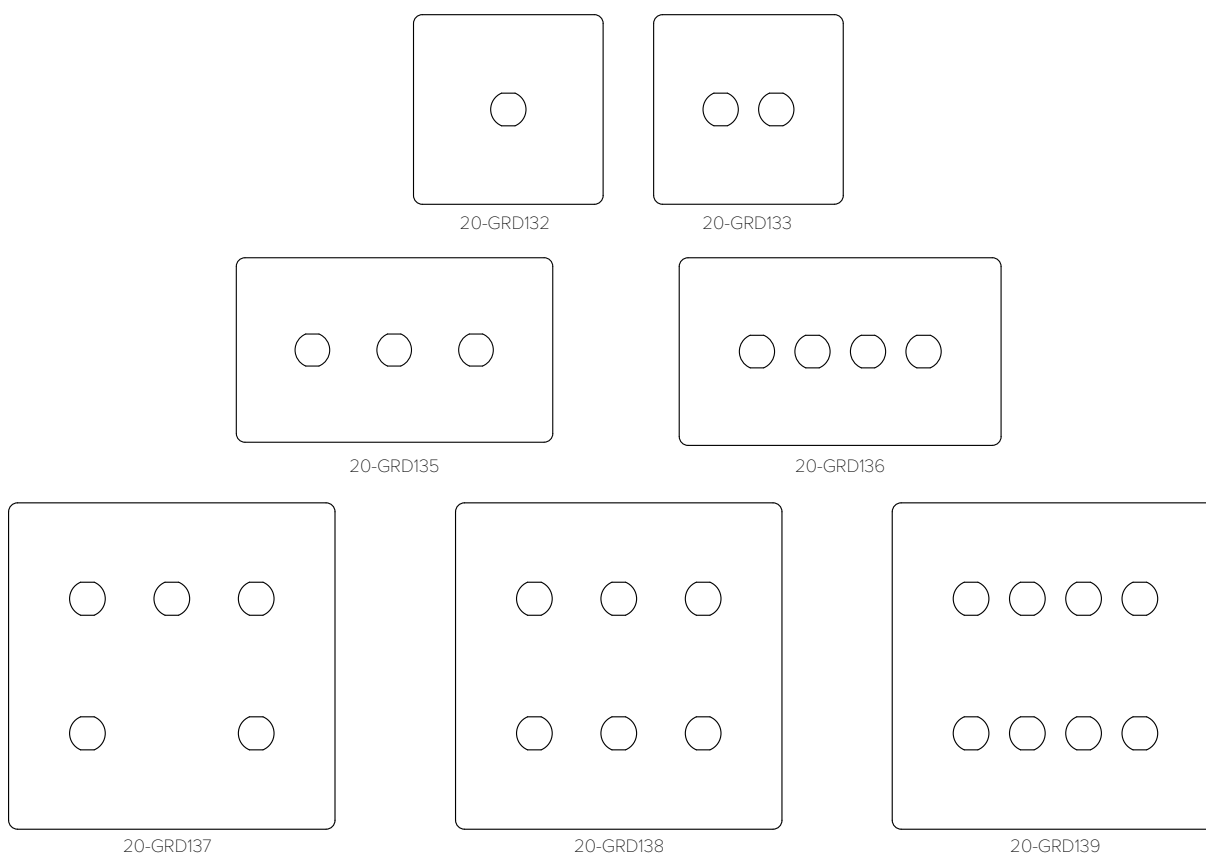
Enkin PDM010 & SOHO Grid Adapter

## Contents

<b>20-GRD132</b>	1 Gang Circular Hole Grid Plate - Traditional
	<ul style="list-style-type: none"> <li>— <b>20-PLT132</b> 1 Gang Circular Hole Traditional Grid Plate</li> <li>— <b>20-EDG007</b> Single Traditional Type Gasket</li> <li>— <b>SGPYLK-12</b> Single Grid Frame (Yoke)</li> </ul>
<b>SGP146</b>	CM-Grid Dimmer Knob
<b>Enkin PDM010</b>	1-10V DC Dimmer with Soho CM Grid Adapter
<b>Trademarks</b>	The Soho Lighting Company is a registered trade mark number: UK00003313349, EU017906396, Date: 25 May 2018

POWERED BY  
**ENKIN**

# 20-GRD132-139

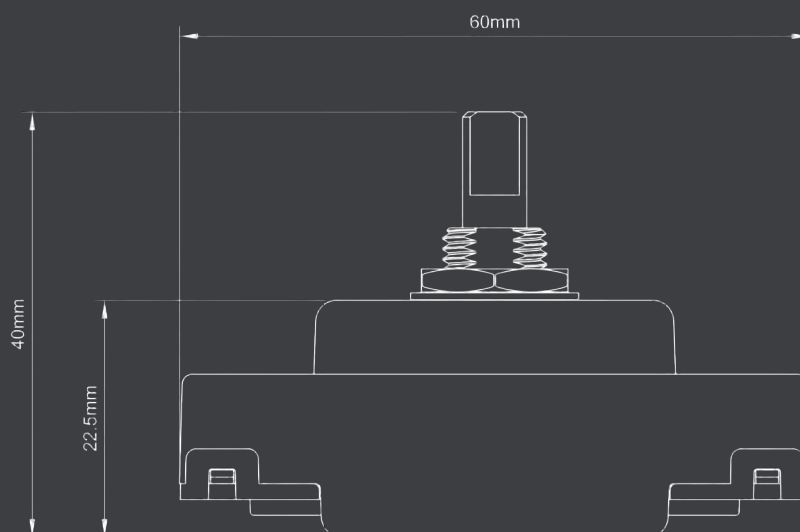
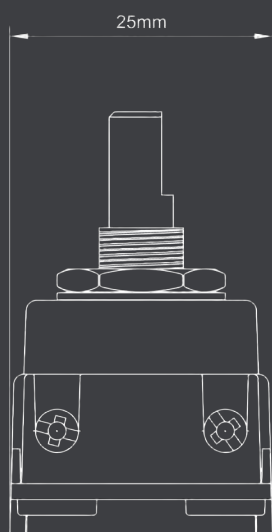


## TECHNICAL SPECIFICATION

Standard(s)	BS 5733 (Where Applicable)
Mounting Box Depth (Recommended)	47mm
Earth Terminal Capacity	3 x 2.5mm <sup>2</sup> , 2 x 4.0mm <sup>2</sup> , 1 x 6.0mm <sup>2</sup> (EARTH)
Fixing Centres	60.3mm (Single width) 120.6mm (Double Width)
Size - (1 Gang) 20-GRD132	86mm x 86mm x 4.5mm (Plate Thickness Inc. Gasket)
Size - (2 Gang) 20-GRD133	86mm x 86mm x 4.5mm (Plate Thickness Inc. Gasket)
Size - (3 Gang) 20-GRD135	86mm x 146mm x 4.5mm (Plate Thickness Inc. Gasket)
Size - (4 Gang) 20-GRD136	86mm x 146mm x 4.5mm (Plate Thickness Inc. Gasket)
Size - (5 Gang) 20-GRD137	146mm x 146mm x 4.5mm (Plate Thickness Inc. Gasket)
Size - (6 Gang) 20-GRD138	146mm x 146mm x 4.5mm (Plate Thickness Inc. Gasket)
Size - (8 Gang) 20-GRD139	146mm x 146mm x 4.5mm (Plate Thickness Inc. Gasket)
Product Class 1	Face plate must be earthed
Ambient Operating Temperature	-5° to +40°C
Recommended Location	Internal Use Only
Maximum Installation Altitude	2000m
IP Rating	IP2XD
Trademarks	The Soho Lighting Company is a registered trade mark number: UK00003313349, EU017906396, Date: 25 May 2018

SS-EN-00-PDM010


Enkin DC 1-10V Dimmer

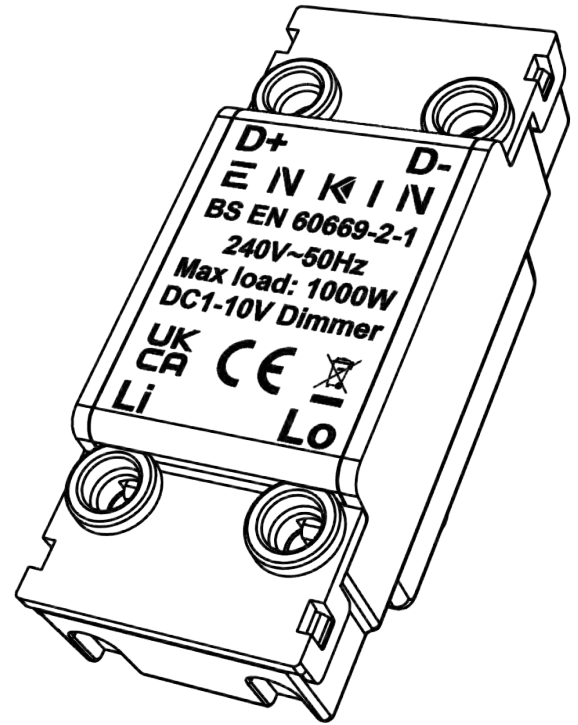


<b>Markings &amp; Standard(s)</b>	CE, UKCA, BS EN 60669-2-1
<b>Operating Voltage</b>	220-240V AC
<b>Main Frequency</b>	50Hz
<b>Minimum Load</b>	N/A
<b>Maximum Load</b>	1000W
<b>Switch Type</b>	N/A
<b>Dimming Protocol</b>	DC 1-10V
<b>Mounting Box Depth (Min)</b>	35mm
<b>Terminal Capacity</b>	1 x 4mm <sup>2</sup> / 1 x 2.5mm <sup>2</sup> / 3 x 1.5mm <sup>2</sup> / 4 x 1mm <sup>2</sup>
<b>Terminal Markings</b>	Li, L0, D+, D-
<b>Neutral Required</b>	No
<b>Short Circuit Protection</b>	N/A
<b>Overload/Overcurrent Protection</b>	N/A
<b>Thermal Protection</b>	N/A
<b>Soft Start</b>	N/A
<b>Power Failure</b>	N/A
<b>Memory</b>	N/A
<b>Min/Max Level Setting</b>	N/A
<b>Driving Mode</b>	N/A
<b>Product Dimensions</b>	59.95mm x 25mm x 22.5mm
<b>Climate Range</b>	0°C to 40°C, Humidity 0% to 95% non-condensing
<b>Recommended Location</b>	Indoor Use Only
<b>Maximum Installation Altitude</b>	2000m
<b>IP Rating</b>	IP2XD
<b>Trademarks</b>	Enkin is a trading name of Trade Ivy. Registered in England Number: 10809945. Copyright © 2021



Operating Voltage (Ref. wiring diagram 2)	240V ac ~ 50 Hz
Max Load (Ref. wiring diagram 2)	1000W
Dimming Technique	DC 1-10V
Compliance	BS EN 60669-2-1

Load Symbol	Compatible Loads	Max Load
	1-10V, Dimmable LED	1000W

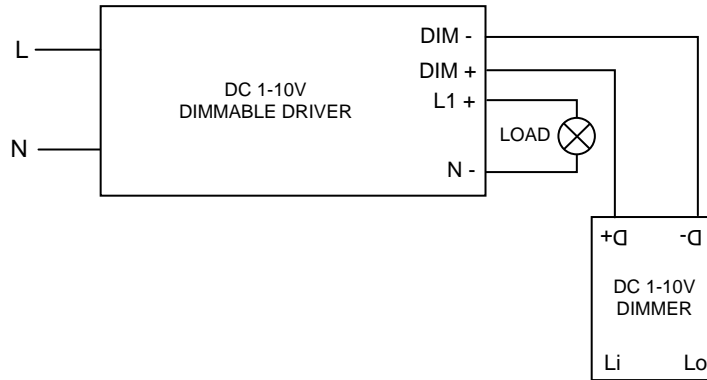


### ON OFF & DIMMING FUNCTION

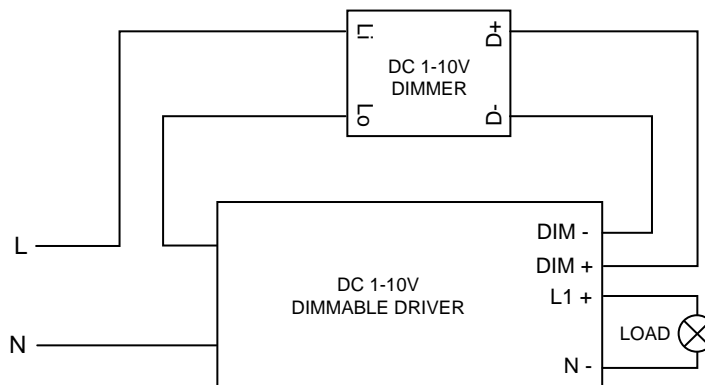
Dimmer switch is activated by pressing the dimmer shaft only, dimming function by rotating the dimmer shaft only.

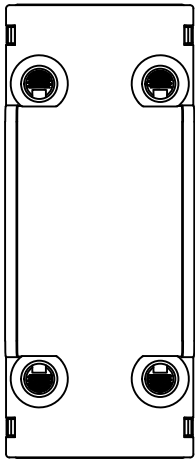
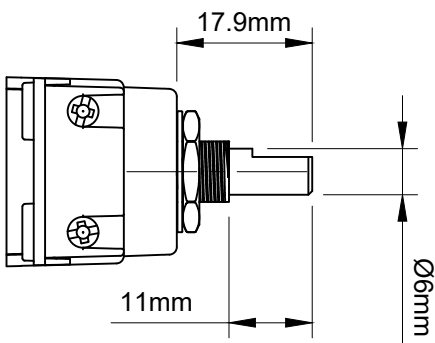
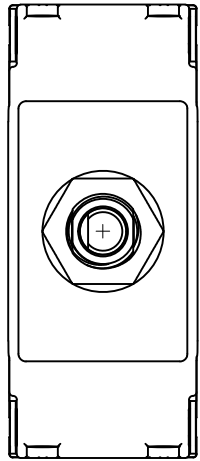
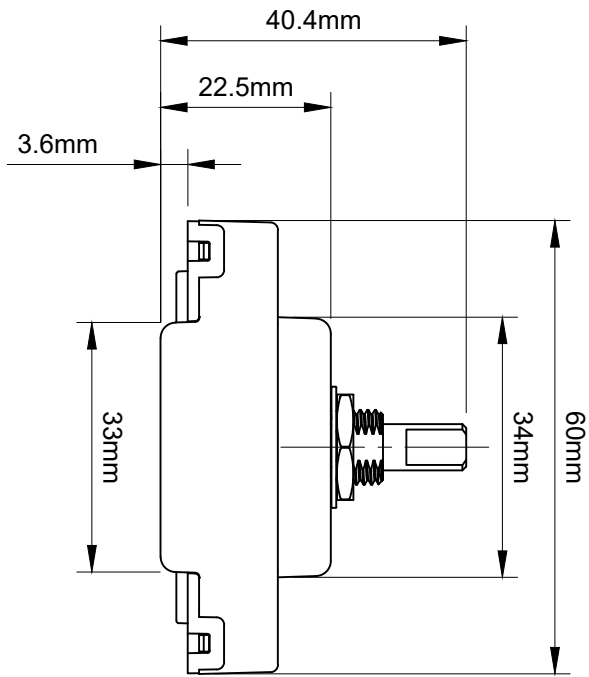
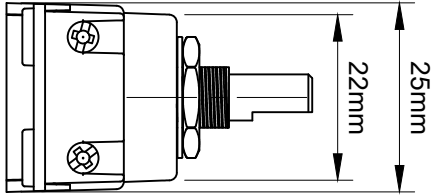
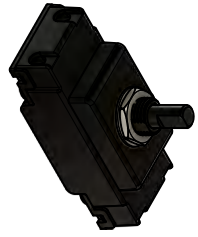
## WIRING EXAMPLES

EXAMPLE WIRING DIAGRAM 1.



EXAMPLE WIRING DIAGRAM 2.





PDM010 Enkin DC 1-10V Dimmer

**ENKIN**