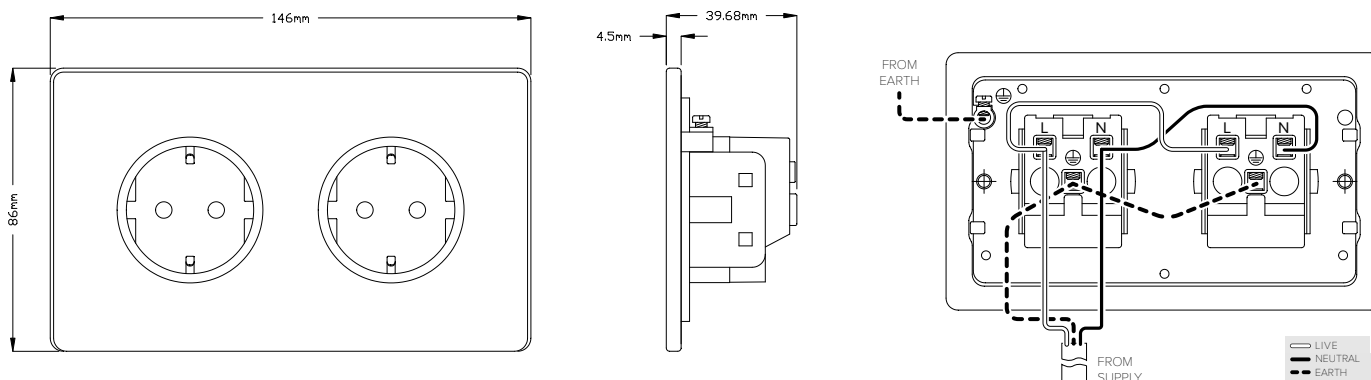


16A 2 Gang Euro Socket - Traditional Plate



TECHNICAL SPECIFICATION

Standard(s)	DIN 0620
Voltage Rating	16 Amp, 250V~
Mounting Box Depth (Min)	47mm
Terminal Capacity	3 x 2.5 mm ² , 3 x 4.0mm ² , 2 x 6.0mm ²
Earth Terminal Capacity	3 x 2.5mm ² , 3 x 4.0mm ² , 2 x 6.0mm ²
Outlet Protection Shutter	Yes
Fixing Centres	120.6mm
Size	86mm x 146 mm x 4.5mm
Product Class 1	Face plate must be earthed
Ambient Operating Temperature	-5° to +40°C
Recommended Location	Internal Use Only
Maximum Installation Altitude	2000m
IP Rating	IP2XD
Mains Frequency	50hz - 60hz
Trademarks	The Soho Lighting Company is a registered trade mark number: UK00003313349, EU017906396, Date: 25 May 2018