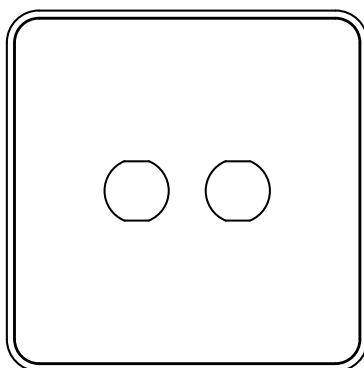
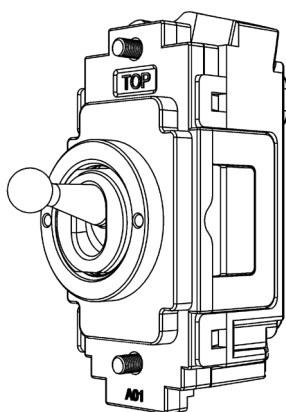


12-LTS502-WPX3

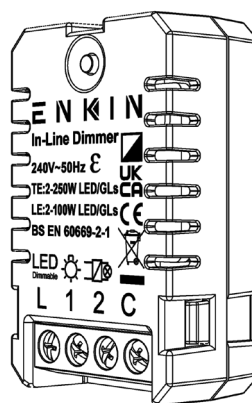
2 Gang Dimming Toggle Switch - Edge



11-PLT302



SGP309



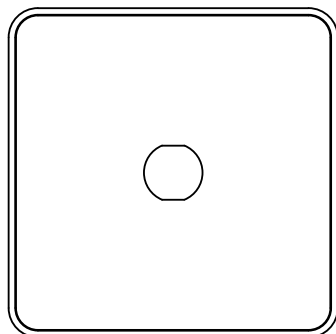
IDM250

Contents

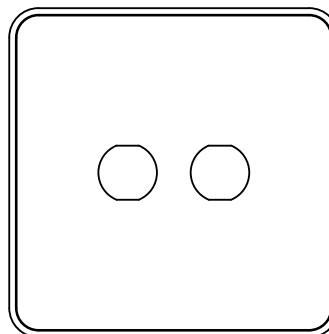
|                     |  |
|---------------------|--|
| <b>11-PLT302</b>    | 2 Gang Circular Hole Grid Plate - Edge   |
| <b>SGP309</b>       | 20A 1Way Retractive Switch - Toggle Module x 2   |
| <b>Enkin IDM250</b> | 250W Universal In-Line LED dimmer x 2  |
| <b>Trademarks</b>   | The Soho Lighting Company is a registered trade mark number: UK00003313349, EU017906396, Date: 25 May 2018 |

POWERED BY  
**ENKIN**

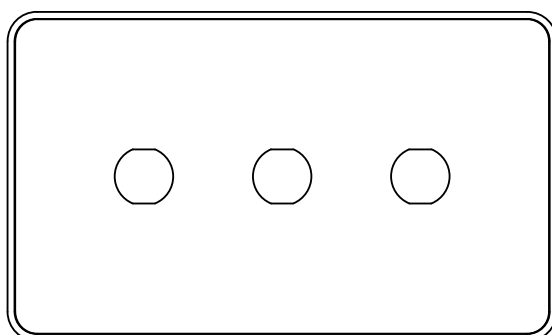
11-PLT301-WP-304-WP



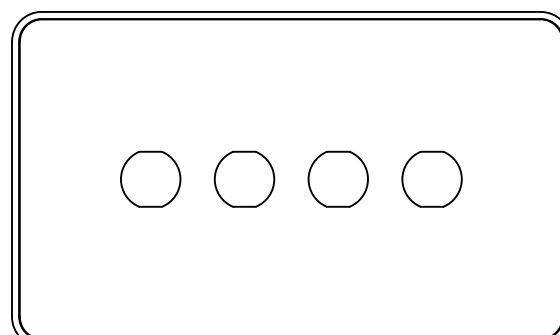
11-PLT301



11-PLT302



11-PLT303

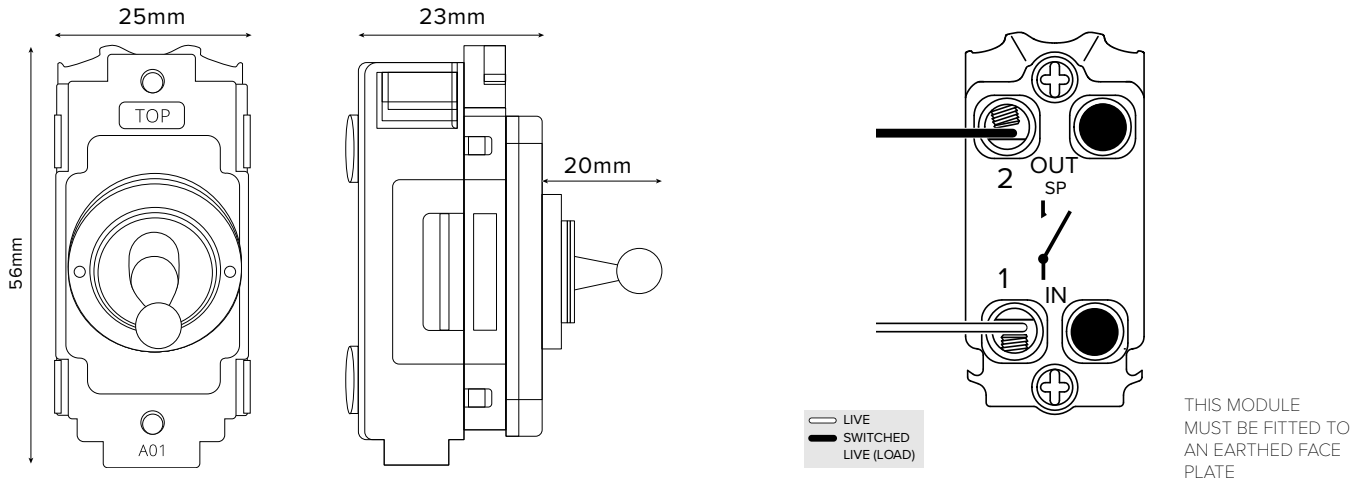


11-PLT304

TECHNICAL SPECIFICATION

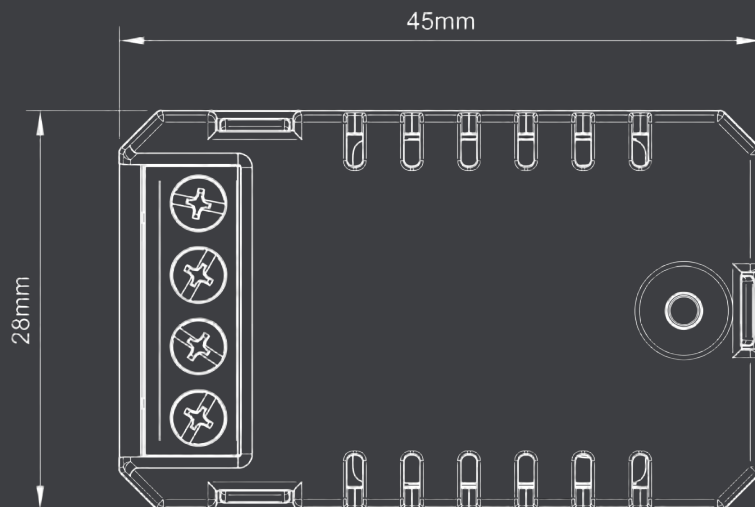
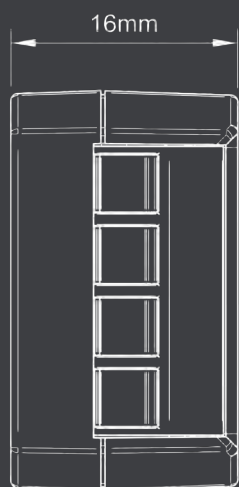
|                                  |  |
|----------------------------------|--|
| Standard(s)                      | BS 5733 (Where Applicable)   |
| Mounting Box Depth (Recommended) | 47mm   |
| Earth Terminal Capacity          | 3 x 2.5mm <sup>2</sup> , 2 x 4.0mm <sup>2</sup> , 1 x 6.0mm <sup>2</sup> (EARTH)                           |
| Fixing Centres                   | 60.3mm (Single width) 120.6mm (Double Width)   |
| Size - (1 Gang) 11-PLT301        | 90mm x 90mm x 4mm (Plate Thickness Inc. Gasket)  |
| Size - (2 Gang) 11-PLT302        | 90mm x 90mm x 4mm (Plate Thickness Inc. Gasket)  |
| Size - (3 Gang) 11-PLT303        | 90mm x 150mm x 4mm (Plate Thickness Inc. Gasket)   |
| Size - (4 Gang) 11-PLT304        | 90mm x 150mm x 4mm (Plate Thickness Inc. Gasket)   |
| Product Class 1                  | Face plate must be earthed   |
| Ambient Operating Temperature    | -5° to +40°C   |
| Recommended Location             | Internal Use Only  |
| Maximum Installation Altitude    | 2000m  |
| IP Rating                        | IP2XD  |
| Trademarks                       | The Soho Lighting Company is a registered trade mark number: UK00003313349, EU017906396, Date: 25 May 2018 |

## 20A 1 Way Retractive Toggle Module



### TECHNICAL SPECIFICATION

|                               |  |
|-------------------------------|--|
| Standard(s)                   | BS EN 60669-1  |
| Voltage Rating                | 20 Amp, 250V <sup>~</sup> (20AX – no derating for inductive or fluorescent loads)                          |
| Contact Gap                   | Normal Gap   |
| Mounting Box Depth (Min)      | N/A  |
| Terminal Capacity             | 4x 1.5mm <sup>2</sup> , 2x 2.5mm <sup>2</sup> & 1x 4.0mm <sup>2</sup>                                      |
| Size                          | 56mm x 25mm x 403mm  |
| Product Class 1               | Face plate must be earthed   |
| Ambient Operating Temperature | -5° to +40°C   |
| Recommended Location          | Internal Use Only  |
| Maximum Installation Altitude | 2000m  |
| IP Rating                     | IP2XD  |
| Switched Poles                | Single   |
| Mains Frequency               | 50hz - 60hz  |
| Contact Gap Minimum           | 3mm  |
| Trademarks                    | The Soho Lighting Company is a registered trade mark number: UK00003313349, EU017906396, Date: 25 May 2018 |



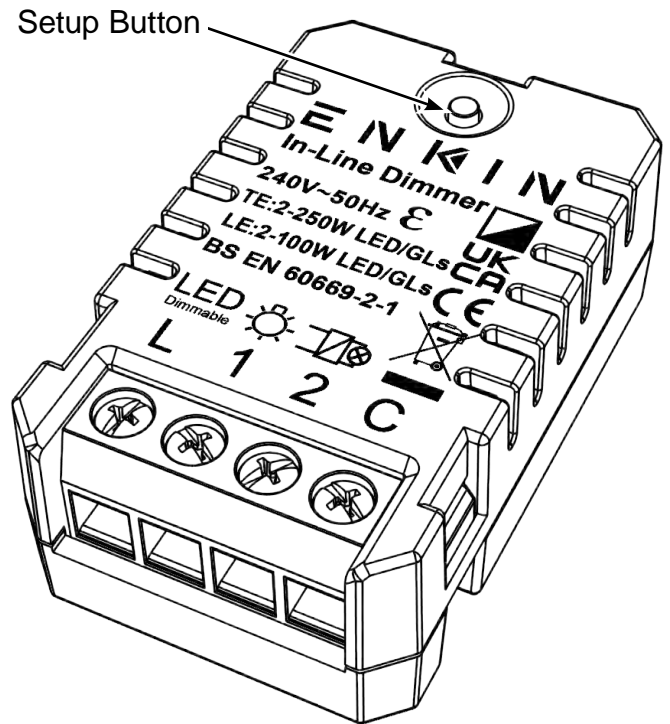
|  |  |
|--|--|
| <b>Markings &amp; Standard(s)</b>      | CE, UKCA, BS EN 60669-2-1  |
| <b>Operating Voltage</b>               | 220-240V AC  |
| <b>Main Frequency</b>                  | 50Hz   |
| <b>Minimum Load</b>                    | 2W LED (2W Incandescent / Halogen)   |
| <b>Maximum Load</b>                    | 250W LED (250W Incandescent / Halogen)   |
| <b>Switch Type</b>                     | Multi-way (Retractive switch)  |
| <b>Dimming Protocol</b>                | Trailing edge & leading edge phase control   |
| <b>Mounting Box Depth (Min)</b>        | 35mm   |
| <b>Terminal Capacity</b>               | 1 x 4mm <sup>2</sup> / 1 x 2.5mm <sup>2</sup> / 3 x 1.5mm <sup>2</sup> / 4 x 1mm <sup>2</sup>  |
| <b>Terminal Markings</b>               | L (Load), 1, 2, C (Live)   |
| <b>Neutral Required</b>                | No   |
| <b>Short Circuit Protection</b>        | Yes  |
| <b>Overload/Overcurrent Protection</b> | Yes  |
| <b>Thermal Protection</b>              | Yes - Thermal resettable fuse  |
| <b>Soft Start</b>                      | Yes  |
| <b>Power Failure</b>                   | Previous state recall  |
| <b>Memory</b>                          | Non volatile   |
| <b>Min/Max Level Setting</b>           | Yes - Following a defined procedure  |
| <b>Driving Mode</b>                    | Yes - TE & LE mode Change following a defined procedure  |
| <b>Product Dimensions</b>              | 48mm x 28mm x 15.9mm   |
| <b>Climate Range</b>                   | 0°C to 40°C, Humidity 0% to 95% non-condensing   |
| <b>Recommended Location</b>            | Indoor use only  |
| <b>Maximum Installation Altitude</b>   | 2000m  |
| <b>IP Rating</b>                       | IP2XD  |
| <b>Trademarks</b>                      | Enkin is a trading name of Trade Ivy. Registered in England Number: 10809945. Copyright © 2021 |



|                                    |                                       |
|------------------------------------|---------------------------------------|
| <b>Operating Voltage</b>           | 240V ac                               |
| <b>Nominal Operating Frequency</b> | 50 Hz                                 |
| <b>Dimming Technique</b>           | Trailing & leading edge phase control |
| <b>Compliance</b>                  | BS EN 60669-2-1                       |

| Load Symbol | Compatible Loads                                  | Max Load           | Min Load |
|-------------|---|--------------------|----------|
|             | Dimmable LED lighting                             | 250W TE<br>100W LE | 2W       |
|             | 240V Incandescent & Halogen lamps                 | 250W TE<br>100W LE | 2W       |
|             | Low voltage lighting with electronic transformers | 250W TE<br>100W LE | 2W       |

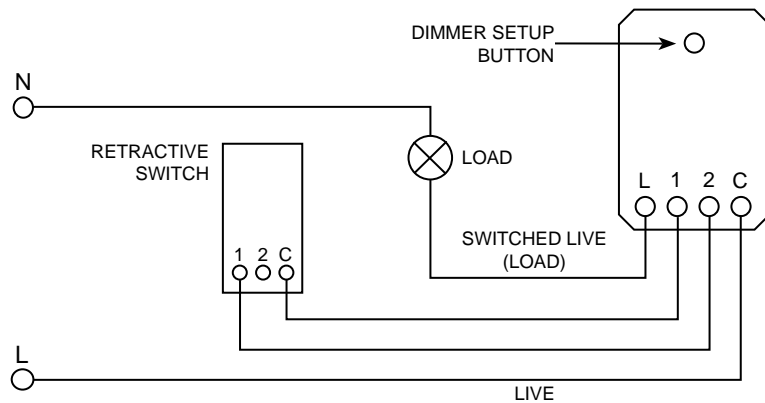
| Multi-Gang Switch De-Rating Chart |        |        |        |        |
|-----------------------------------|--------|--------|--------|--------|
| 1 Gang                            | 2 Gang | 3 Gang | 4 Gang | 5 Gang |
| 250W                              | 212W   | 175W   | 137W   | 100W   |



### WIRING EXAMPLES

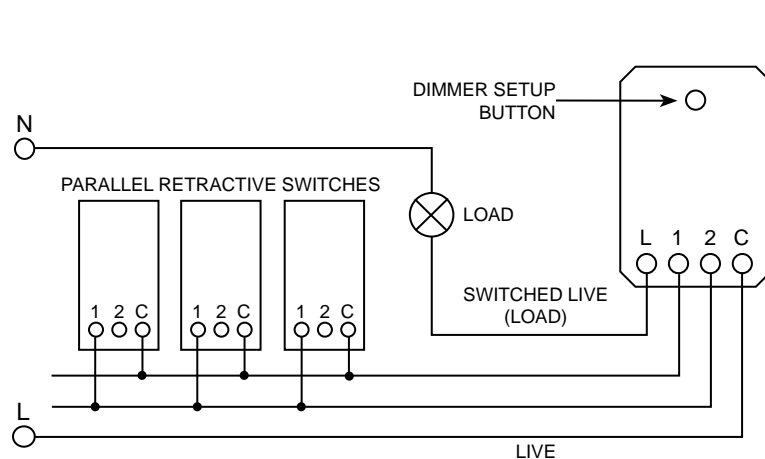
#### WIRING DIAGRAM

##### Single Retractive Switch



#### WIRING DIAGRAM

##### Multiple Retractive Switches



### OPERATING INSTRUCTIONS

On/Off and dimming is achieved with a connected retractive switch, or multiple (parallel) retractive switches, please refer to example circuit diagrams on the other side of this document for details.

A fast click of the retractive switch will turn the lamp (or Load) on and off, holding the switch will alternately dim the lamp up or down, release the switch when desired lamp brightness has been achieved.

The minimum/maximum level and dimming mode can be manually adjusted by following the procedures below.

#### SETTING THE MINIMUM LEVEL

1. Whilst on, adjust dimmer to your desired minimum brightness.
2. Push the setup button 3 times within 2 seconds.
3. The LEDs will step up and down in brightness once to confirm the setting has been saved.

#### SETTING THE MAXIMUM LEVEL

1. Whilst on, adjust dimmer to your desired maximum brightness.
2. Push the setup button 5 times within 3 seconds.
3. The LEDs will step up and down in brightness once to confirm the setting has been saved.

#### FACTORY RESET FOR MIN/MAX BRIGHTNESS

Please note this factory reset will reset all the min and max brightness settings.

1. Whilst on, push the rear setup button 7 times within 5 seconds.
2. The LEDs will step up and down in brightness three times to confirm that the min/max setting has been cleared.

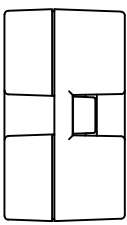
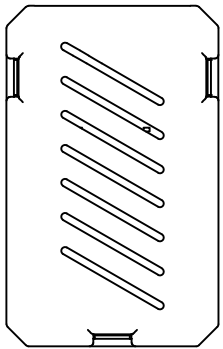
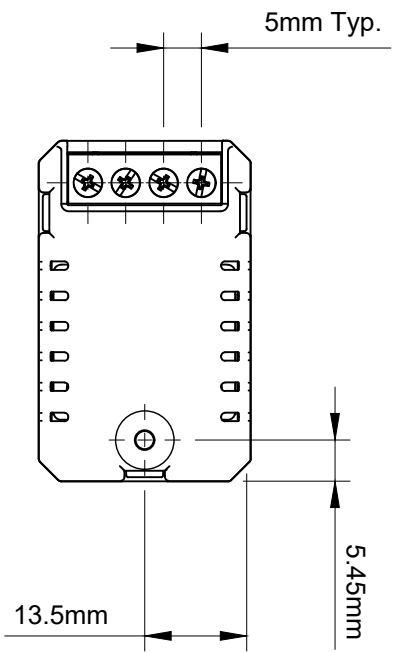
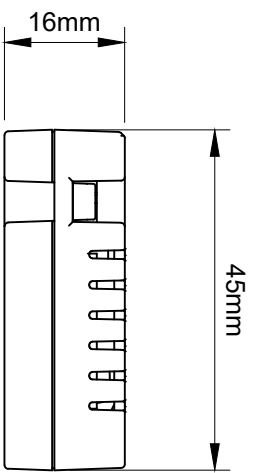
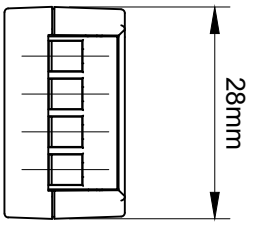
#### CHANGING THE DIMMING MODE

The default mode of the dimmer is Trailing Edge, but it can be put into Leading Edge if required. Please ensure that you know the correct mode for your lamp.

1. Whilst on, push the setup button 9 times within 5 seconds.
2. The LEDs will step up and down in brightness twice to confirm the setting has been changed to Leading Edge mode.

#### NOTE:

To switch back to Trailing Edge mode, just repeat the process again, the LEDs will step up and down once to show the dimmer is back in Trailing Edge mode.



IDM250 250W Universal In-Line LED dimmer

**E N K I N**