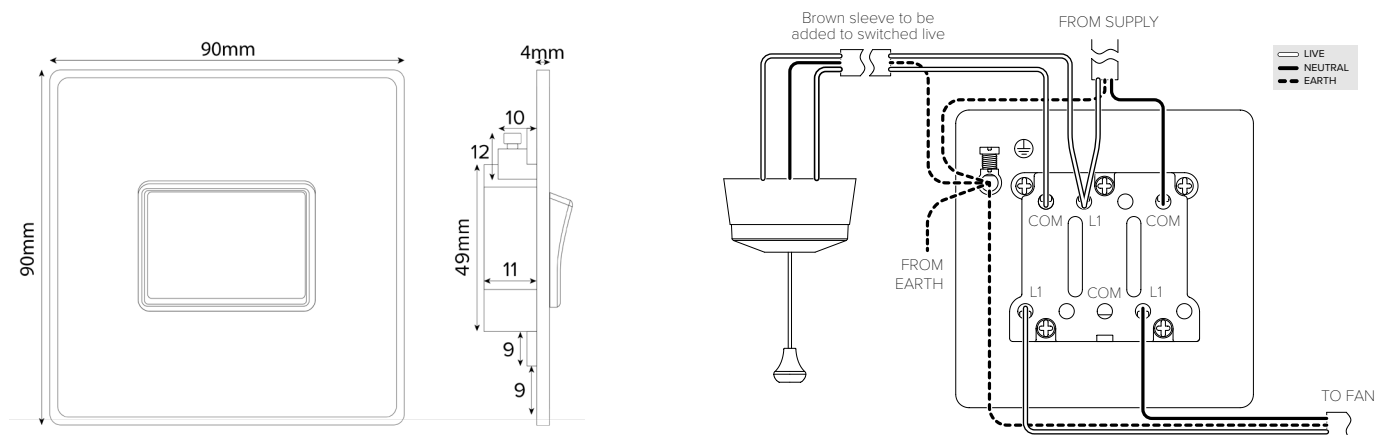


## ISO101-10A 1 Gang 1 Way 3-Pole Fan Isolator - Edged Plate



### TECHNICAL SPECIFICATION

|                               |  |
|-------------------------------|--|
| Standard(s)                   | BS EN 60669-1  |
| Voltage Rating                | 10 A(X), 250V~   |
| Contact Gap                   | Normal Gap   |
| Mounting Box Depth (Min)      | 25mm   |
| Terminal Capacity             | 4 x 1.0mm <sup>2</sup> , 4 x 1.5mm <sup>2</sup> , 2 x 2.5mm <sup>2</sup> , 1 x 4.0mm <sup>2</sup>          |
| Earth Terminal Capacity       | 4 x 1.0mm <sup>2</sup> , 4 x 1.5mm <sup>2</sup> , 2 x 2.5mm <sup>2</sup> , 1 x 4.0mm <sup>2</sup>          |
| Fixing Centres                | 60.3mm   |
| Size                          | 90mm x 90mm x 4 mm (Plate thickness)   |
| Product Class 1               | Face plate must be earthed   |
| Ambient Operating Temperature | -5° to +40°C   |
| Recommended Location          | Internal Use Only  |
| Maximum Installation Altitude | 2000m  |
| IP Rating                     | IP2XD  |
| Switched Poles                | Triple   |
| Mains Frequency               | 50hz - 60hz  |
| Contact Gap Minimum           | 3mm  |
| Trademarks                    | The Soho Lighting Company is a registered trade mark number: UK00003313349, EU017906396, Date: 25 May 2018 |