

# INSTRUCTIONS

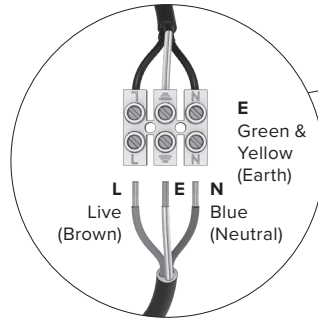
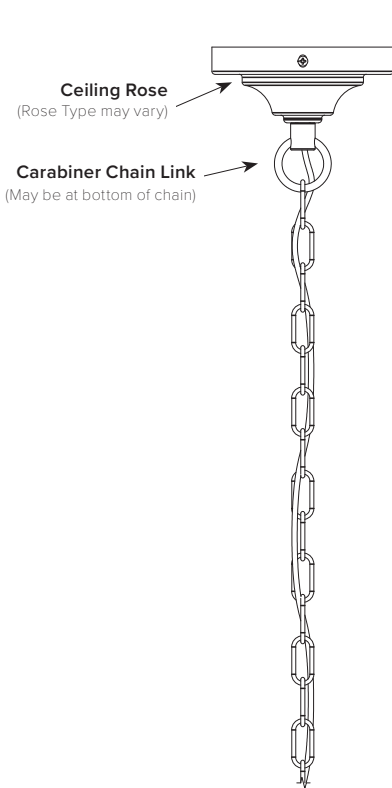
LT-SH-10-PEN242 (all finishes)

Bulb Fitting: E27, Max. 40W, 220-240V~50Hz

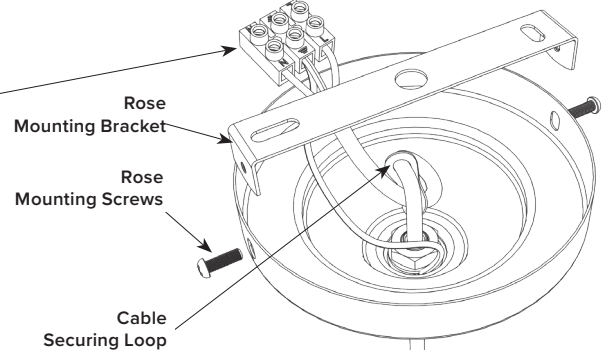
**IMPORTANT!** Please read these instructions fully before attempting to fit this product.

**WARNING:** ENSURE THE ELECTRICAL SUPPLY TO THE WIRES YOU ARE WORKING ON IS SHUT OFF COMPLETELY; EITHER BY REMOVING THE FUSE OR TURNING OFF THE CIRCUIT BREAKER. TURNING THE POWER OFF USING THE LIGHT SWITCH IS INSUFFICIENT PROTECTION AGAINST ELECTRIC SHOCK.

**NOTE:** These important safeguards and instructions are not meant to cover all possible conditions or situations that may occur. It must be understood that common sense, caution, and care, are factors that must be supplied by the person(s) installing this product.



Connection Block Detail



Ceiling Rose Internal View

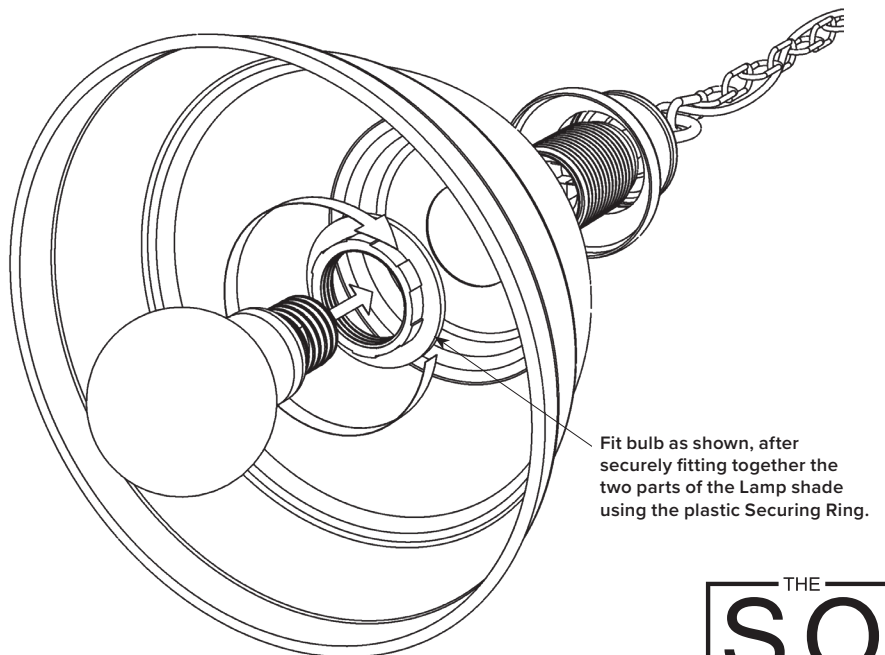
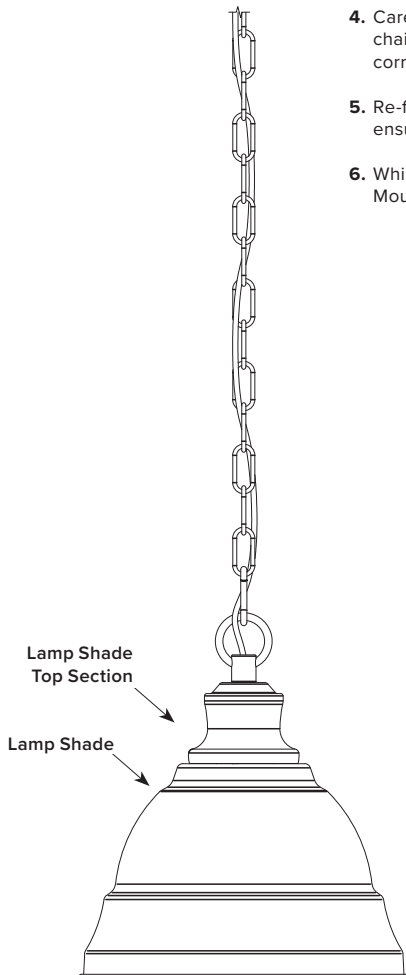
**IMPORTANT:** Electric current can kill, always turn off the electricity supply before fitting. It is essential that this light is fitted by an experienced professional.

**IMPORTANT:** This light must be fixed to a secure structure that will safely bear its weight and from which it cannot become loose. The supplied fixings will not be suitable for all situations, please ensure you use the correct fixings for your building fabric.

**IMPORTANT:** Please dispose of packaging responsibly.

**Note:** The Lamp drop length can be adjusted by carefully removing links from the chain and trimming the cable to the required length. This should be undertaken by a suitably qualified and experienced person.

1. Isolate the mains electricity supply completely before attempting any cable cutting or connecting.
2. Fix the Rose Mounting Bracket to ceiling (or other support surface) using the correct fixings for your substrate, ensuring that they are able to comfortably support the weight of the lamp.
3. If necessary, cut the chain to your desired drop length and re-fit using the Carabiner Chain Link, at one end of the chain.
4. Carefully trim any excess lamp cable inside the Rose, leaving enough slack to weave cable through chain, missing three chain links each time, and also leaving enough to comfortably re-fit the Connector Block, making sure that you can correctly locate the LIVE, EARTH & NEUTRAL after they have been cut.
5. Re-feed cable through the chain, missing three links every time, and replace the Cable Securing Loop inside the Rose to ensure that the cable is held sufficiently.
6. While supporting the lamp, connect the Connection Block to mains electrical supply cable and fit the Rose to the Rose Mounting Bracket, using the two Rose Mounting Screws.



Additional information  
can be found at [sohlighting.com](http://sohlighting.com)  
or on request via email: [info@sohlighting.com](mailto:info@sohlighting.com)