

INSTRUCTIONS

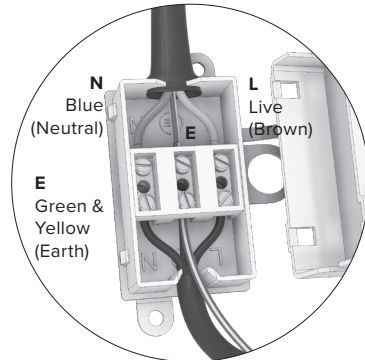
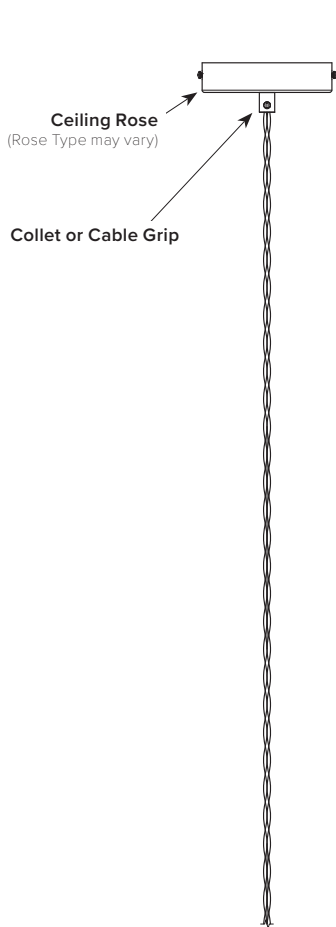
LT-SH-10-PEN217 (all finishes)

Bulb Fitting: E27, Max. 40W, 220-240V~50Hz

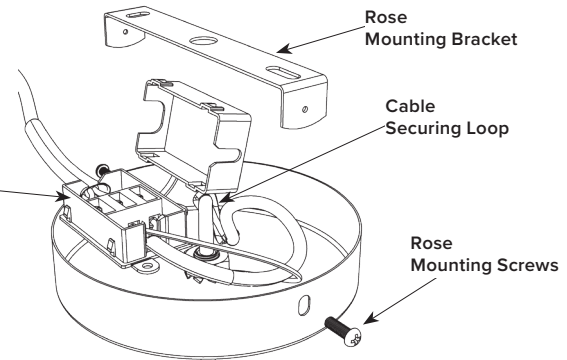
IMPORTANT! Please read these instructions fully before attempting to fit this product.

WARNING: ENSURE THE ELECTRICAL SUPPLY TO THE WIRES YOU ARE WORKING ON IS SHUT OFF COMPLETELY; EITHER BY REMOVING THE FUSE OR TURNING OFF THE CIRCUIT BREAKER. TURNING THE POWER OFF USING THE LIGHT SWITCH IS INSUFFICIENT PROTECTION AGAINST ELECTRIC SHOCK.

NOTE: These important safeguards and instructions are not meant to cover all possible conditions or situations that may occur. It must be understood that common sense, caution, and care, are factors that must be supplied by the person(s) installing this product.



Connection Block Detail



Ceiling Rose Internal View

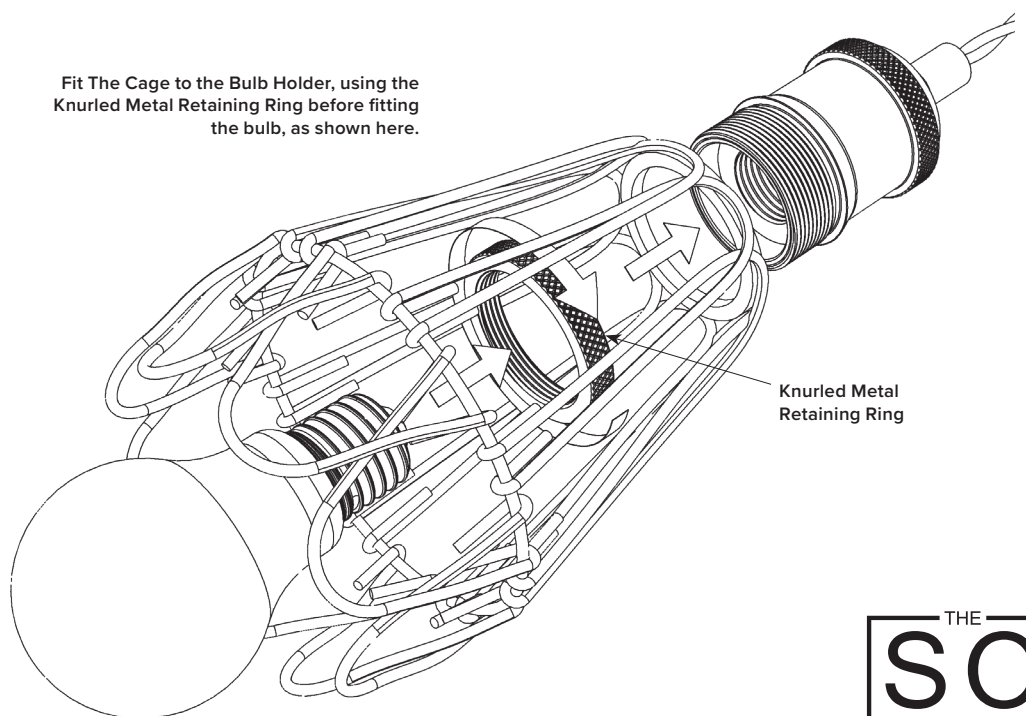
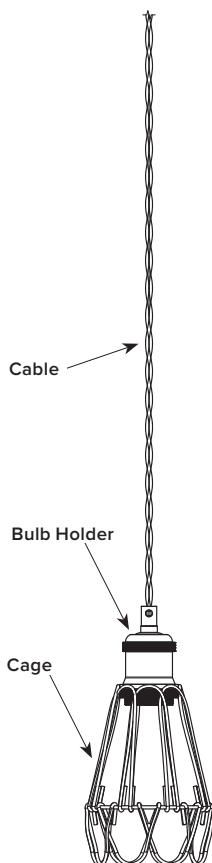
IMPORTANT: Electric current can kill, always turn off the electricity supply before fitting. It is essential that this light is fitted by an experienced professional.

IMPORTANT: This light must be fixed to a secure structure that will safely bear its weight and from which it cannot become loose. The supplied fixings will not be suitable for all situations, please ensure you use the correct fixings for your building fabric.

IMPORTANT: Please dispose of packaging responsibly.

1. Isolate the mains electricity supply completely before attempting any cable cutting or connecting.
2. Fix the Rose Mounting Bracket to Ceiling (or other support surface) using the correct fixings for your substrate, ensuring that they are able to comfortably support the weight of the lamp.
3. Adjust the lamp cable to your desired length by loosening the Collet or Grub Screw on Cable Grip at the base of the ceiling rose to release the cable, and ease it through Rose and the plastic Cable Securing Loop until you have achieved your required drop length.
4. Tighten grub screw or collet at base of rose to ensure cable is held sufficiently, but not so tight as to damage the cable.
5. Carefully trim any excess lamp cable inside the Rose, leaving enough to comfortably re-fit the Connector Block, and making sure that you can correctly locate the LIVE, EARTH & NEUTRAL after they have been cut.
6. While supporting the lamp, connect the Connection Block to mains electrical supply cable and fit the Rose to the Rose Support Bracket, using the two Rose Mounting Screws.

Fit The Cage to the Bulb Holder, using the Knurled Metal Retaining Ring before fitting the bulb, as shown here.



Additional information
can be found at sohlighting.com
or on request via email: info@sohlighting.com