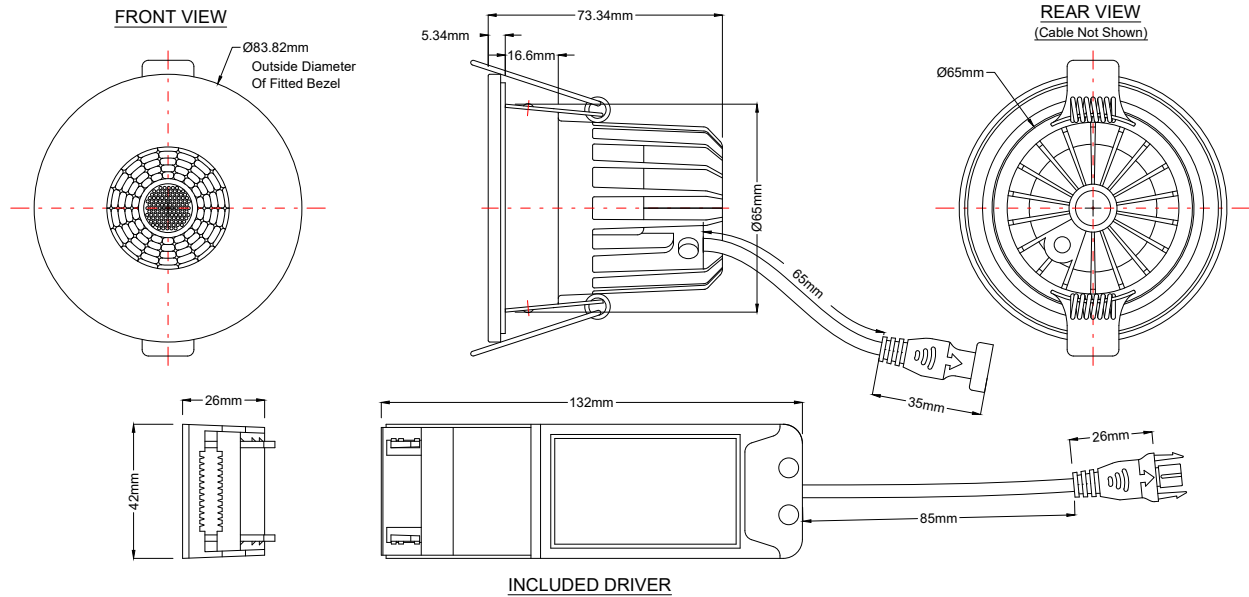


CCT, 10W LED Downlight - Dimmable/Fire Rated/IP65



TECHNICAL SPECIFICATION

Model Number	DL-SH-10-FXD102
Product Code	FXD102
Brand	Soho
Product Conformance Standards	EN 60598-1:2015, EN 60598-2-2:2012, EN 55015:2013+A1:2015, EN 61547:2009, EN 61000-3-2:2014, EN 6100-3-3:2013, BS 476: PART 21: 1987
CE Certified	YES
Wattage	10W
Rating	220/240VAC 50/60Hz
Cutout size	70mm
IP Rating	IP65
Fire Rating	30, 60 & 90 Minutes
Bulb Style	COB
Colour Temp Kelvin	CCT setting 3000K & 4000K & 6000K
Beam Angle	60°
Lumens	@3000K : 460lm, @4000K : 600lm, @6000K : 650lm
Rated Life	Greater than 40,000Hrs
CRI	@3000K : 97, @4000K : 96, @6000K : 95
Dimmable	YES
Material	die-cast aluminium
Product Weight (g)	378
Manufacturer Guarantee	3 Years
Driver Type	External, with fast connecting terminals.
Finish Type	All finishes