


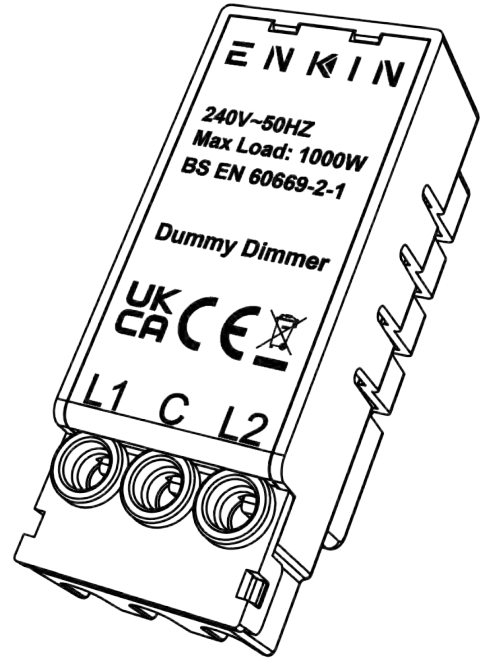


<b>Markings &amp; Standard(s)</b>	CE, UKCA, BS EN 60669-2-1
<b>Operating Voltage</b>	220-240V AC
<b>Main Frequency</b>	50Hz
<b>Minimum Load</b>	N/A
<b>Maximum Load</b>	1000W
<b>Switch Type</b>	Two way
<b>Dimming Protocol</b>	N/A
<b>Mounting Box Depth (Min)</b>	35mm
<b>Terminal Capacity</b>	1 x 4mm <sup>2</sup> / 1 x 2.5mm <sup>2</sup> / 3 x 1.5mm <sup>2</sup> / 4 x 1mm <sup>2</sup>
<b>Terminal Markings</b>	C (Live), L1 (Switched Live), L2 (2-way)
<b>Neutral Required</b>	No
<b>Short Circuit Protection</b>	N/A
<b>Overload/Overcurrent Protection</b>	N/A
<b>Thermal Protection</b>	N/A
<b>Soft Start</b>	N/A
<b>Power Failure</b>	N/A
<b>Memory</b>	N/A
<b>Min/Max Level Setting</b>	N/A
<b>Driving Mode</b>	N/A
<b>Product Dimensions</b>	60.5mm x 14mm x 25mm
<b>Climate Range</b>	0°C to 40°C, Humidity 0% to 95% non-condensing
<b>Recommended Location</b>	Indoor use only
<b>Maximum Installation Altitude</b>	2000m
<b>IP Rating</b>	IP2XD
<b>Trademarks</b>	Enkin is a trading name of Trade Ivy. Registered in England Number: 10809945. Copyright © 2021



<b>Operating Voltage</b>	240V ac
<b>Nominal Operating Frequency</b>	50 Hz
<b>Dimming Technique</b>	N/A
<b>Compliance</b>	BS EN 60669-2-1

Load Symbol	Compatible Loads	Max Loads
	LED lighting	1000W
	240V Incandescent & Halogen lamps	1000W
	Low voltage lighting with electronic transformers	1000W

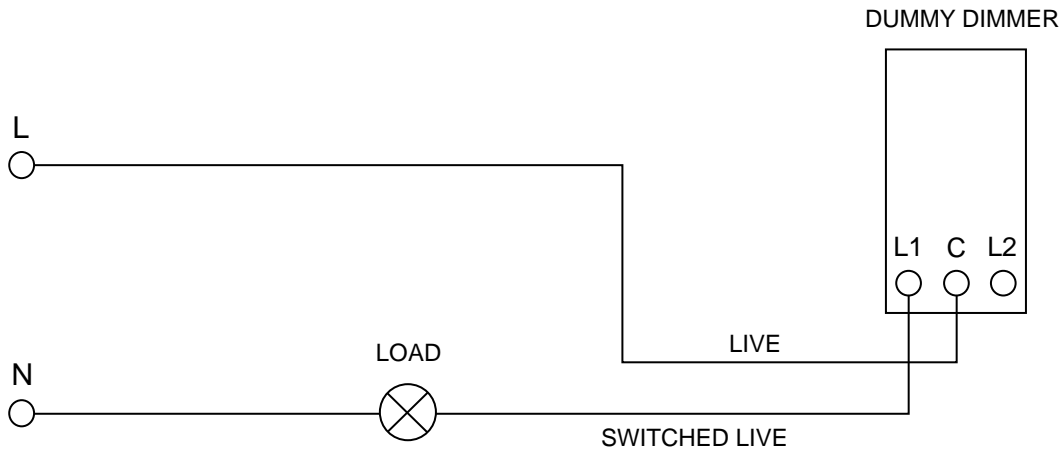


**ON & OFF FUNCTION**

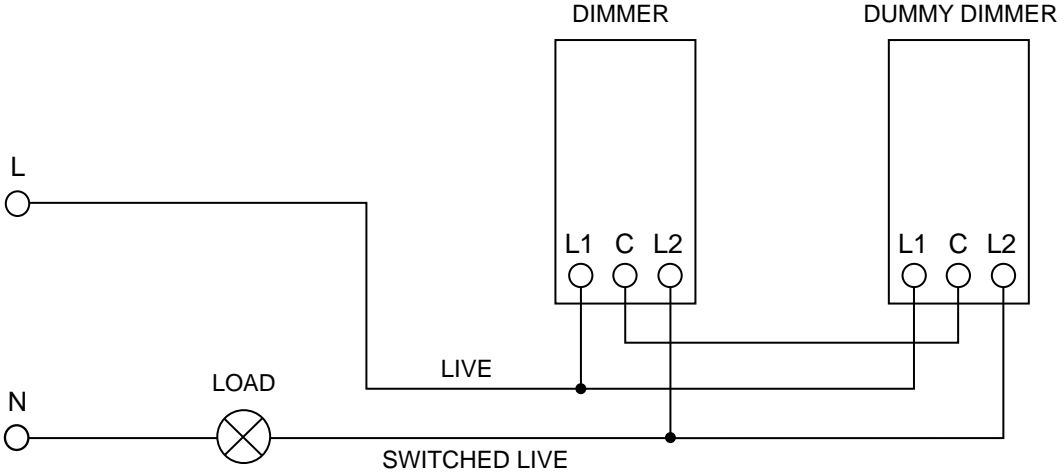
Dummy dimmer switch is activated by pressing the dimmer shaft.

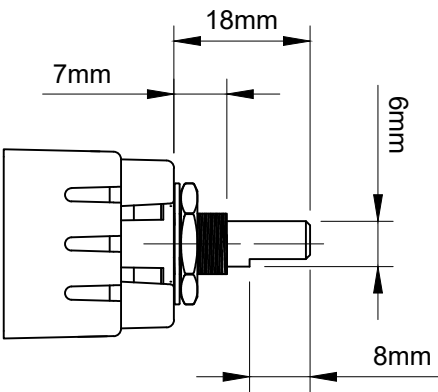
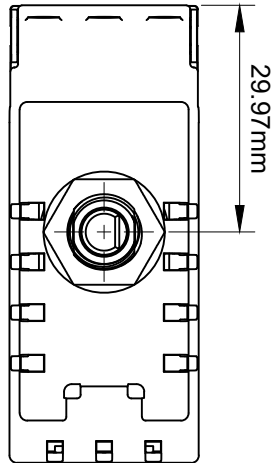
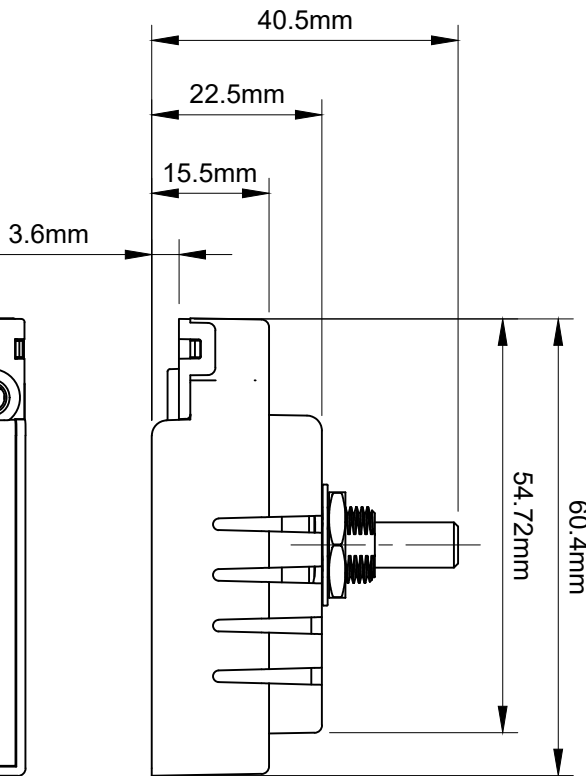
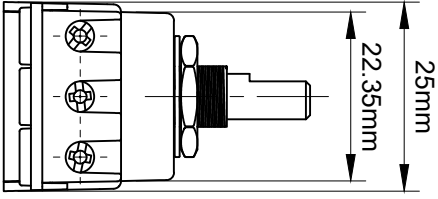
**WIRING EXAMPLES**

**WIRING DIAGRAM - ONE WAY**



**WIRING DIAGRAM - TWO WAY**





PDD200 Enkin Dummy Dimmer

**ENKIN**